

MECHANICAL REPS, INC.

HVAC EQUIPMENT & SYSTEMS SALES

4710 PERRIN CREEK • SUITE 300 • SAN ANTONIO, TEXAS 78217
(210) 650-9005 • FAX (210) 590-1645

Submittal Data

Job: City of San Antonio
Henry Guerra Library

Contractor: Dynamic Air Service Company
San Antonio, Texas

Engineer: Lizcano Consulting Engineers
San Antonio, Texas

Item: Fans and Roof Hoods

Manufactured by Greenheck per the attached submittal data.

EF's will be model SP furnished with:

- AMCA rating
- UL label
- Thermally protected motor
- Backdraft damper
- Disconnect plug
- Speed controller
- Ceiling grille

Outside Air Intake will be model WRH furnished with:

- Extruded aluminum construction
- Mitered corners
- Birdscreen
- 8" tall roof curb

Please see the attached data for further performance and dimensional characteristics.

Respectfully submitted,

James Ling
May 13, 2003

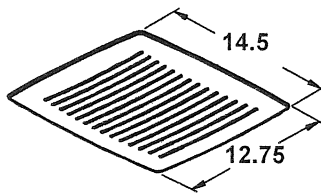
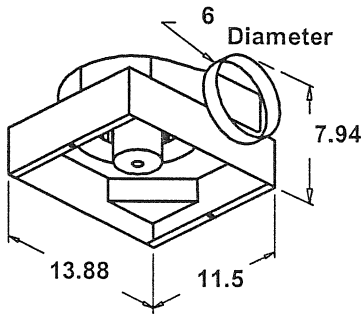


Fan and Ventilator

MARK: EF 1

SP

Ceiling Exhaust Fan



CONSTRUCTION FEATURES

- Corrosion resistant galvanized steel scroll and housing
- White designer non-yellowing grille
- Round outlet duct collar with integral backdraft damper
- Single inlet forward curved wheel
- Plug type disconnect
- Adjustable mounting brackets

SELECTED OPTIONS & ACCESSORIES

- Motor w/ Thermal Overloads
- UL/cUL-507 - "Electric Fans"
- Solid State Speed Control - 5WSSC, Shipped Loose
- Round Duct Connection - Standard

NOTES: All dimensions shown are in units of inches
Fan weight is without accessories

DIMENSIONS

Approx. Fan Weight (lb.)
10

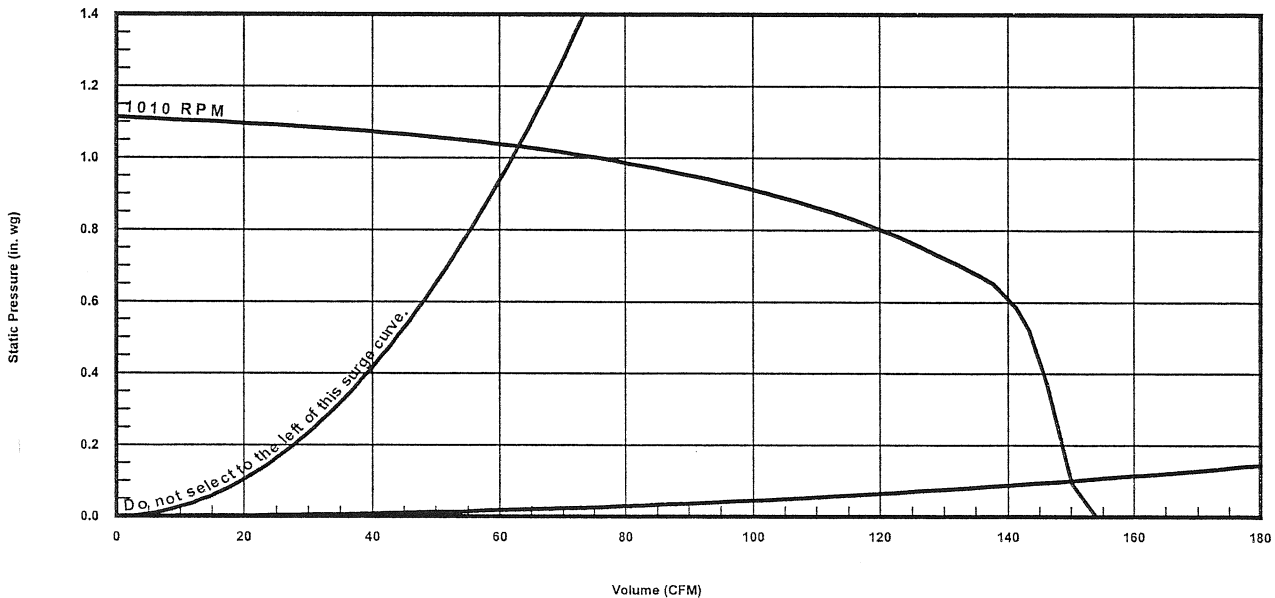
PERFORMANCE (Elevation ft. = 0, Airstream Temperature °F = 70)

Qty	Model	Volume (CFM)	SP (in. wg)	+FRPM	Watts (W)	Motor Information		
						V/C/P	Enclosure	RPM
2	SP-B150	150	0.1	1,010	129	115/60/1	ODP	1050

SOUND

Inlet Sound Power by Octave Band								Lwa	dBA	Sones
62.5	125	250	500	1000	2000	4000	8000			
55	59	50	52	50	43	37	31	54	43	2.9

LwA - A weighted sound power level, based on ANSI S1.4.
dBA - A weighted sound pressure level, based on 11.5 dB attenuation per octave band at 5.0 ft. Sones calculated using AMCA 301 at 5.0 ft.



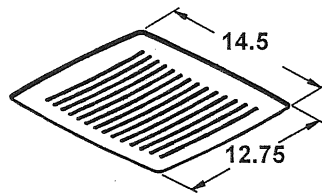
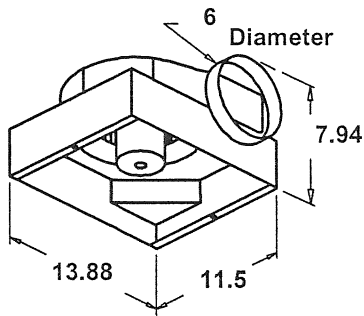


Fan and Ventilator

MARK: EF 2

SP

Ceiling Exhaust Fan



CONSTRUCTION FEATURES

- Corrosion resistant galvanized steel scroll and housing
- White designer non-yellowing grille
- Round outlet duct collar with integral backdraft damper
- Single inlet forward curved wheel
- Plug type disconnect
- Adjustable mounting brackets

SELECTED OPTIONS & ACCESSORIES

- Motor w/ Thermal Overloads
- UL/cUL-507 - "Electric Fans"
- Solid State Speed Control - 5WSSC, Shipped Loose
- Round Duct Connection - Standard

NOTES: All dimensions shown are in units of inches
Fan weight is without accessories

DIMENSIONS

Appro. Fan Weight (lb.)
10

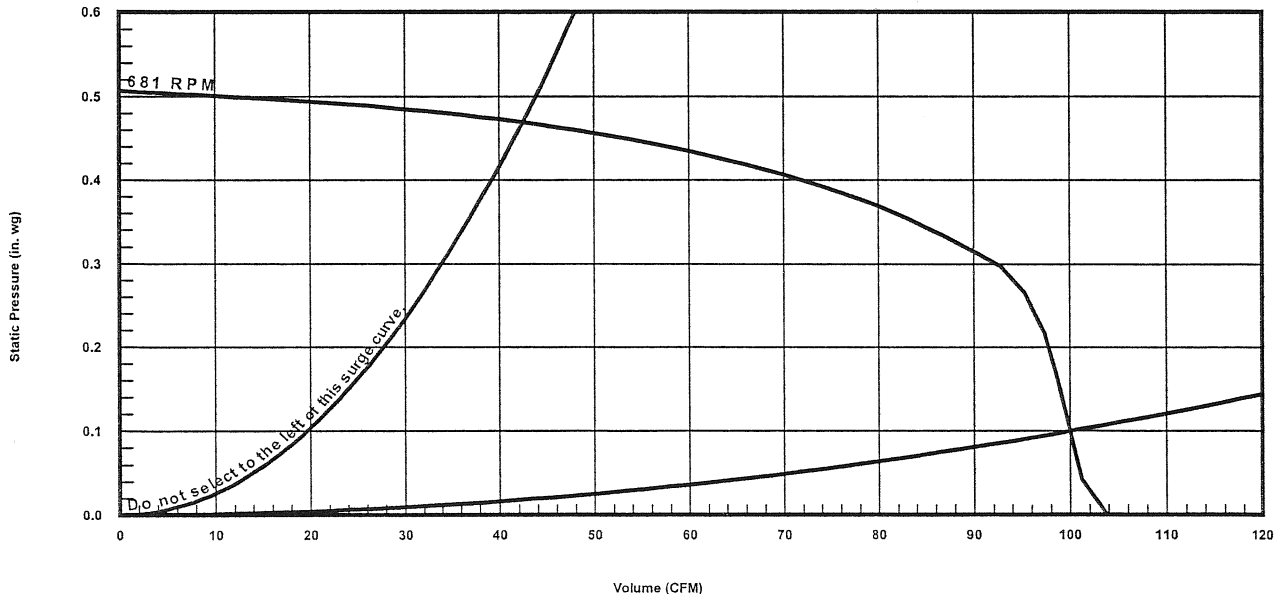
PERFORMANCE (Elevation ft. = 0, Airstream Temperature °F = 70)

Qty	Model	Volume (CFM)	SP (in. wg)	FRPM	Watts (W)	Motor Information		
						V/C/P	Enclosure	RPM
1	SP-B150	100	0.1	681	129	115/60/1	ODP	1050

SOUND

Inlet Sound Power by Octave Band								Lwa	dBA	Sones
62.5	125	250	500	1000	2000	4000	8000			
60	39	39	39	35	30	23	19	41	30	0.8

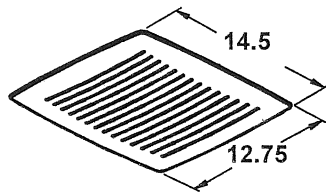
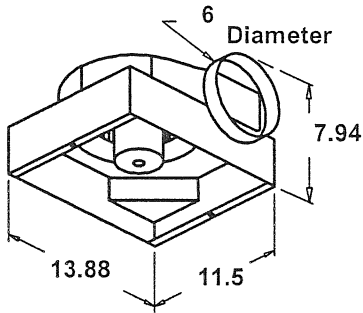
LwA - A weighted sound power level, based on ANSI S1.4.
dBA - A weighted sound pressure level, based on 11.5 dB attenuation per octave band at 5.0 ft. Sones calculated using AMCA 301 at 5.0 ft.



Fan and Ventilator

MARK: EF 3

SP
Ceiling Exhaust Fan



CONSTRUCTION FEATURES

- Corrosion resistant galvanized steel scroll and housing
- White designer non-yellowing grille
- Round outlet duct collar with integral backdraft damper
- Single inlet forward curved wheel
- Plug type disconnect
- Adjustable mounting brackets

SELECTED OPTIONS & ACCESSORIES

- Motor w/ Thermal Overloads
- UL/cUL-507 - "Electric Fans"
- Solid State Speed Control - 5WSSC, Shipped Loose
- Round Duct Connection - Standard

NOTES: All dimensions shown are in units of inches
Fan weight is without accessories

DIMENSIONS

Appro. Fan Weight (lb.)
10

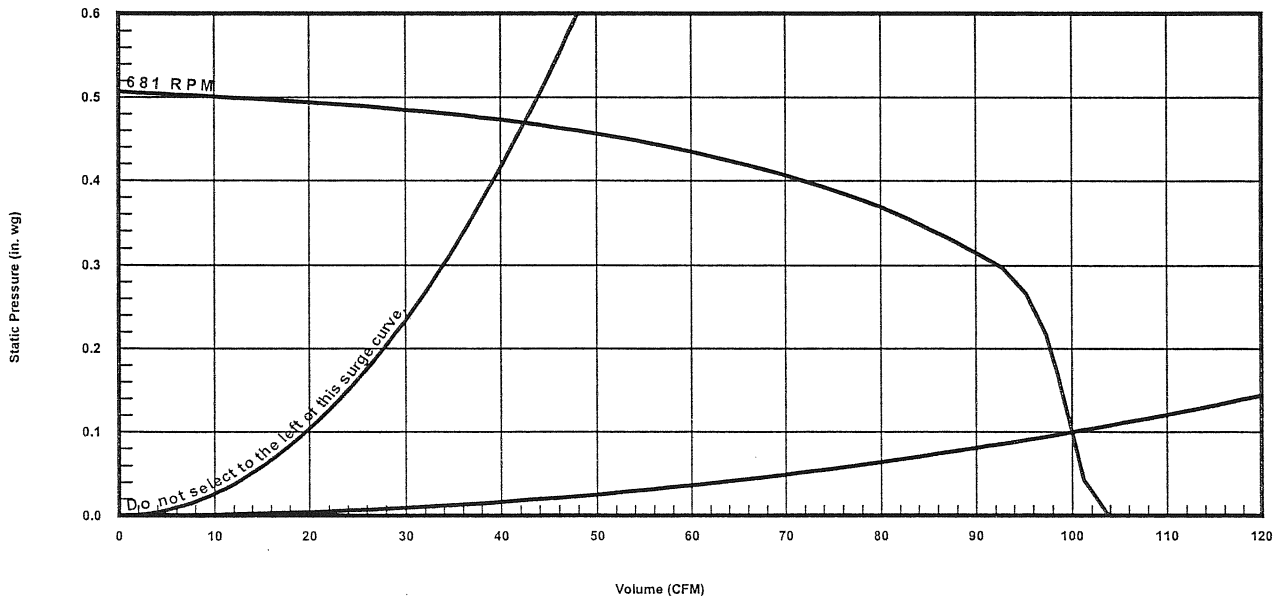
PERFORMANCE (Elevation ft. = 0, Airstream Temperature °F = 70)

Qty	Model	Volume (CFM)	SP (in. wg)	FRPM	Watts (W)	Motor Information		
						V/C/P	Enclosure	RPM
2	SP-B150	100	0.1	681	129	115/60/1	ODP	1050

SOUND

Inlet Sound Power by Octave Band								Lwa	dBA	Sones
62.5	125	250	500	1000	2000	4000	8000			
60	39	39	39	35	30	23	19	41	30	0.8

LwA - A weighted sound power level, based on ANSI S1.4.
dBA - A weighted sound pressure level, based on 11.5 dB attenuation per octave band at 5.0 ft. Sones calculated using AMCA 301 at 5.0 ft.

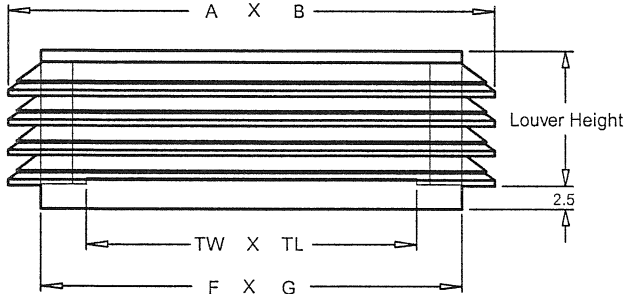




WIH

Louvered Gravity Intake STANDARD CONSTRUCTION FEATURES

- Louvers of Extruded aluminum (0.08 in.).
- Removable cover(s) lined with 0.5 in. fiberglass insulation (as standard).
- All units ship knocked down.
- 0.5 in. Galvanized mesh Bird Screen.
- Recommended roof opening dimension is at least 2.5 in. larger than the damper size.



NOTE: All dimensions shown are in units of inches

SELECTED OPTIONS & ACCESSORIES

- Aluminum Housing
- 0.5 in. Thick Hood Insulation
- Galvanized Birdscreen - 0.5 in. Mesh Type

DIMENSIONS

ID #	Tag	Qty	"TW" Throat Width (in.)	"TL" Throat Length (in.)	Louver Height (in.)	Louvers High	A (in.)	B (in.)	Curb Cap Width (in.)	Curb Cap Length (in.)	Opt. Damper Width (in.)	Opt. Damper Length (in.)	Wt. (lb.)
3-1		1	12	24	12.25	3	26	38	20	32	12	24	40

PERFORMANCE

ID #	Tag	Qty	Volume (CFM)	SP (in. wg)	Throat Area (ft. ²)	Throat Velocity (ft./min)
3-1		1	992	0.047	2	496.0